

To ensure successful delivery of your new sleep system, the following important tips and guidelines are provided. Prior to purchase and delivery of your sleep system, please review these measurement and obstruction tips carefully.

Frequently Asked Quick Fit Questions:

Delivery Path Outside the Home

- Can our delivery truck fit down your road? (Truck is a maximum 7' 8" wide)
- Can your driveway be accessed and hold a truck up to 26ft long?

* Delivery truck dimensions vary in size

Delivery Path Inside the Home (See reverse side to help answer these questions)

- Will your Reverie Sleep System fit through all doorways?
- Will your Reverie Sleep System fit through all hallways and clear all narrow corners along the path?
- Is your room cleared and ready for your Reverie Sleep System?

King Sleep System Measurements

Reverie® Sleep System Measurements

Your sleep system is measured by length, width and height. The following guidelines can help determine how much floor and wall space your new sleep system will need.

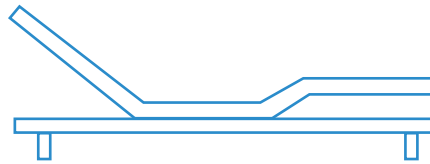


Mattress Measurements

Length: 80 inches
Width: 76 inches
Height: 11 inches

Box Measurement:

Length: 85 inches
Width: 81 inches
Height: 16 inches



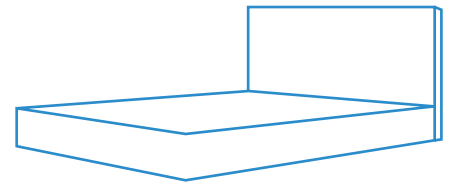
Adjustable Base Measurements*

Length: 81 inches
Width: 38.5 inches each side
Height: 7.5 inches

Box Measurement:

Length: 86 inches
Width: 41 inches (2 pieces)
Height: 12.5 inches

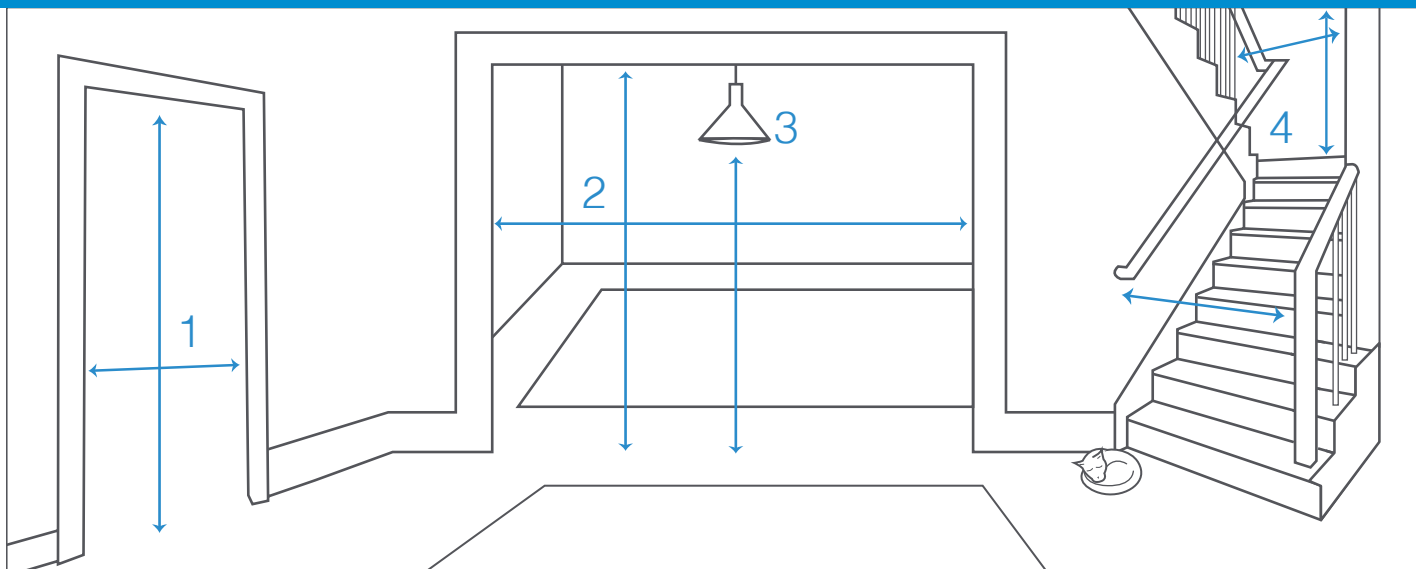
* Measurements listed include a 1-inch allowance to accommodate retainer bars.



Existing Frame Measurements

For placement into existing frame, please see page 3.

Delivery Measurement Guide of your New Reverie® Sleep System



1 Exterior/Front doorway

Height - Our recommended minimum measurement: 82"

Your measurement: _____

Width & Clearance to opposite wall - Our recommended minimum measurement: 20.6"

Your measurement: _____

2 Interior doorway

Height - Our recommended minimum measurement: 82"

Your measurement: _____

Width & Clearance to opposite wall - Our recommended minimum measurement: 70.7"

Your measurement: _____

3 Fixtures, such as low-hanging lights

Our recommended minimum measurement: 82"

Your measurement: _____

4 Staircase/Stairwell

Width - Our recommended minimum measurement: 20.6"

Your measurement: _____

Overhang/ceiling height - Our recommended minimum measurement: 82"

Your measurement: _____

Corner curve width & clearance to opposite wall upstairs - Our recommended minimum measurement: 70.7"

Your measurement: _____

Prior to arrival of the delivery team, please make note of the recommended measurements shown above. This will significantly assist with a safe and successful delivery.

Proper home preparation can help with a smooth delivery by doing the following (Our delivery team is unable to make these or other preparations for you):

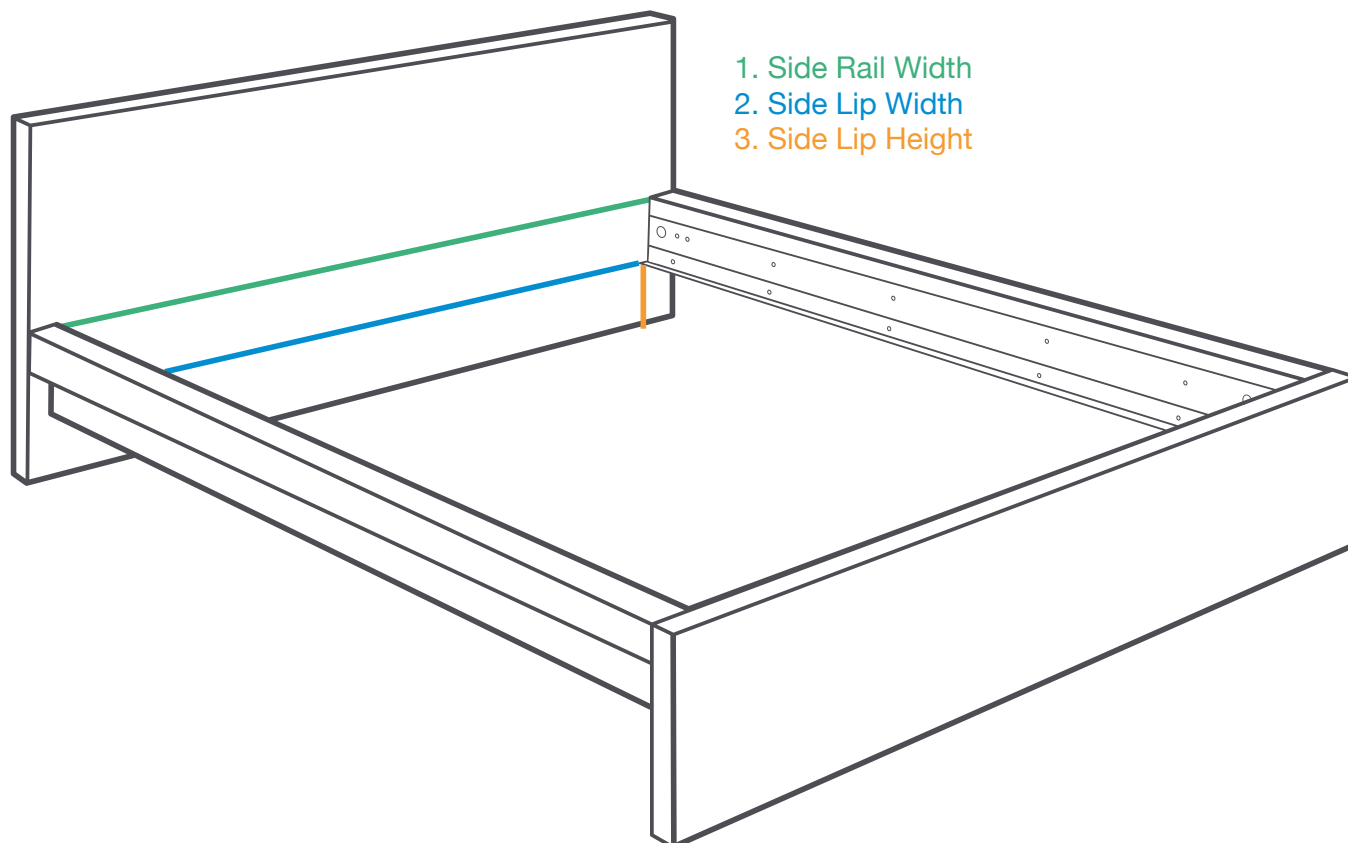
- Secure low-hanging light fixtures
- Remove pictures or art
- Remove doors if necessary
- Move other furniture
- Set rugs in place
- Put pets in another room

Upon receipt and delivery, please inspect your sleep system thoroughly and report any damage to the delivery team so the issue can be resolved quickly.

* These guidelines are provided to assist with the purchase, delivery, and safe installation of a Reverie Sleep System. Please consult an expert if sizing or other concerns remain.

Existing Frame Measurements (For placement into existing frame.)

The inside measurement of your frame must be larger than the adjustable base measurements to ensure a smooth fit.



Suggested*:

Minimum Length: 81 - 82 inches

Minimum Width (Distance between side lips): 77 - 78 inches

(If bed frame height - floor to side rail lip - is more than 8.25 inches, an additional leg extension may be needed.

To add an additional leg extension to your shipment, please contact customer care at the number below.)

* Bed frames vary in size